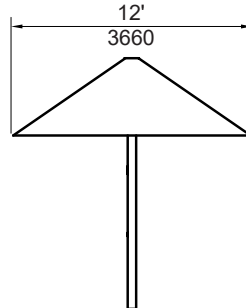
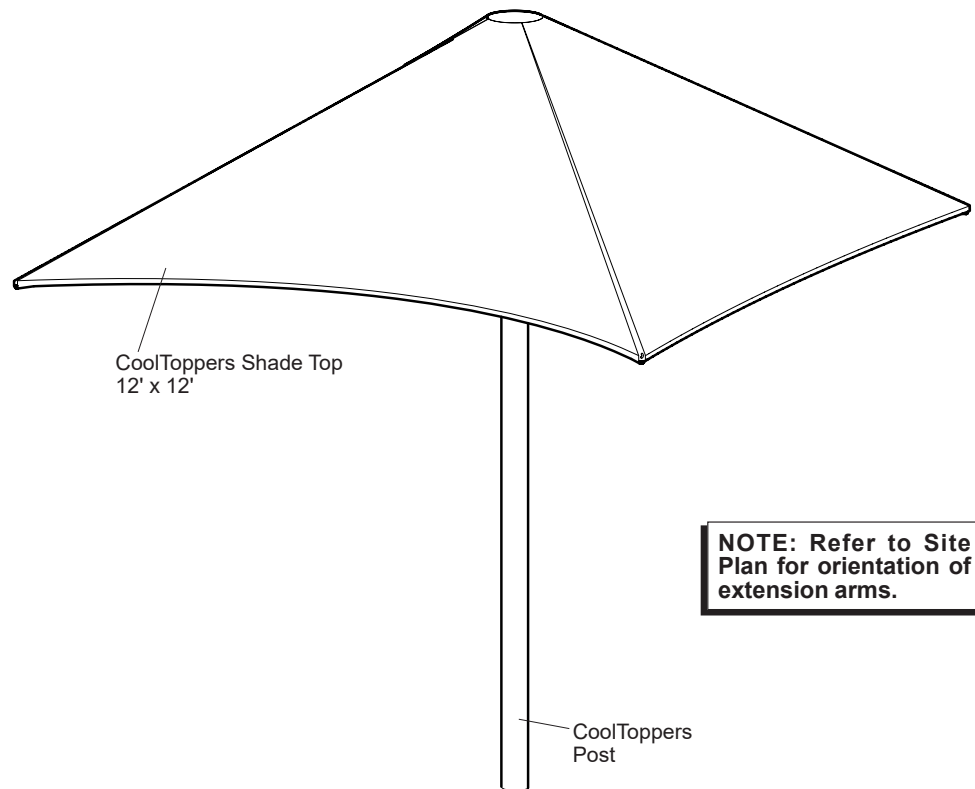
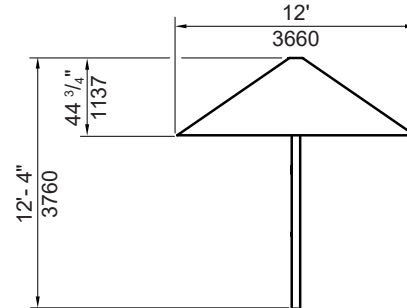


NOTE: Remove fabric when wind speeds are expected to exceed 90 mph and snow loads are expected to exceed 5 psf.

**DETAIL
FRONT VIEW**



**DETAIL
SIDE VIEW**



NOTE: Refer to Site Plan for orientation of extension arms.

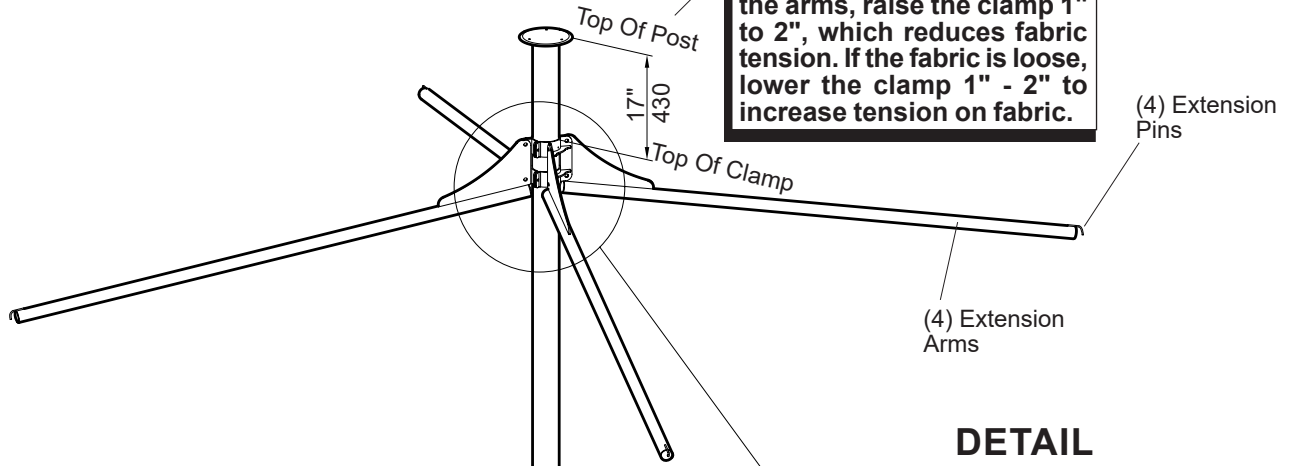
WARNING:

Fabric is designed to fit extremely tight over framework. Failure to follow instructions, resulting in a torn fabric, will not be warranted by LSI

Refer to video via QR code below for demonstration

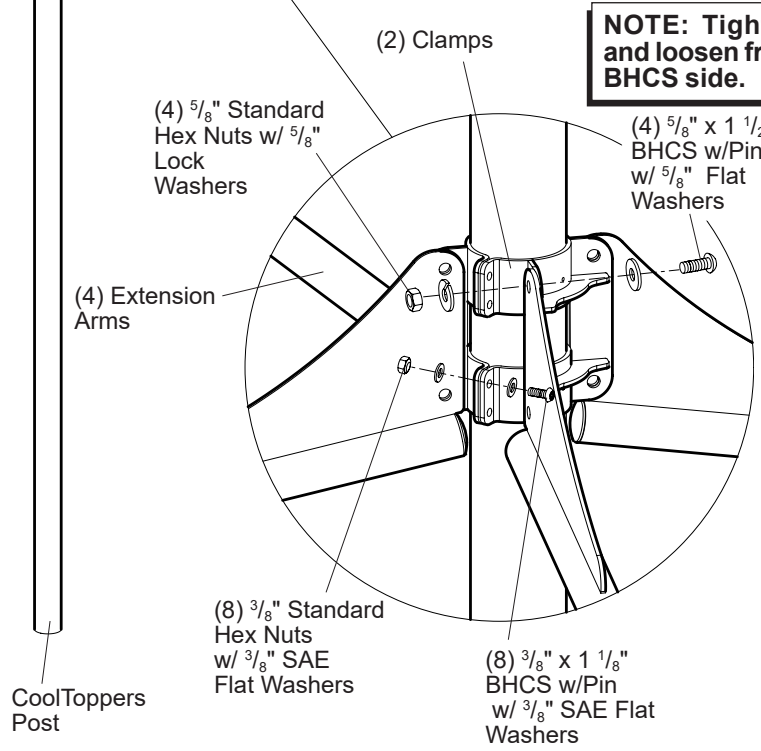


NOTE: 17" is an approximate measurement from the top of post to top of clamp. Field adjustment of the clamp height may be required to achieve proper fabric tension. If fabric seems extremely tight, while attempting to lower the arms, raise the clamp 1" to 2", which reduces fabric tension. If the fabric is loose, lower the clamp 1" - 2" to increase tension on fabric.

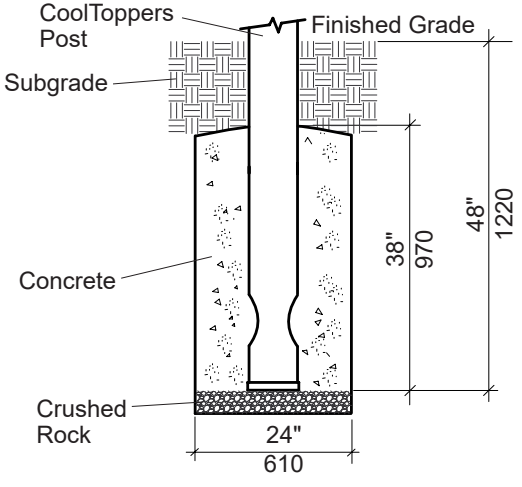


**DETAIL
UPPER ARM ATTACHMENT**

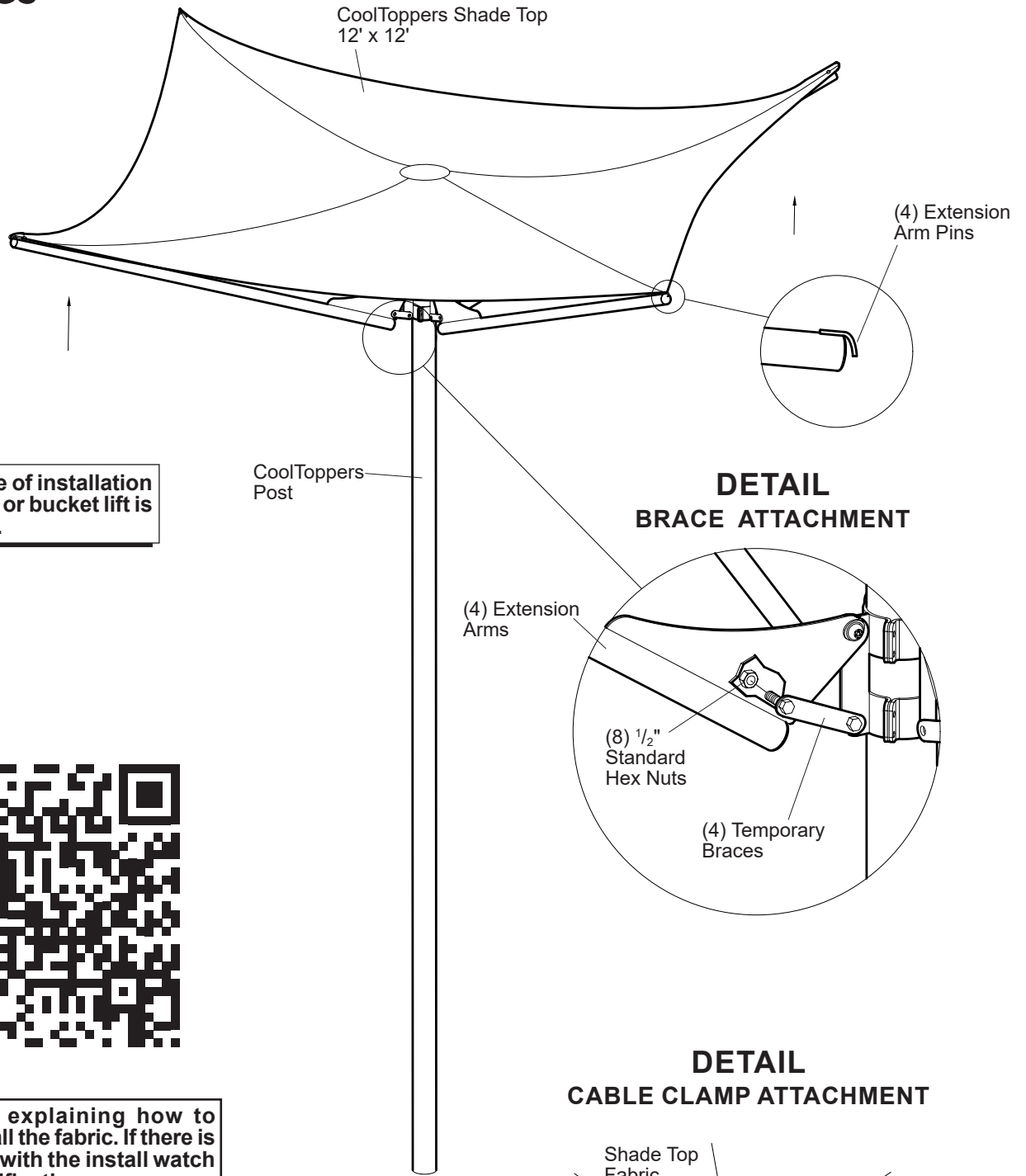
NOTE: Tighten and loosen from BHCS side.



**DETAIL
DIRECT BURY**



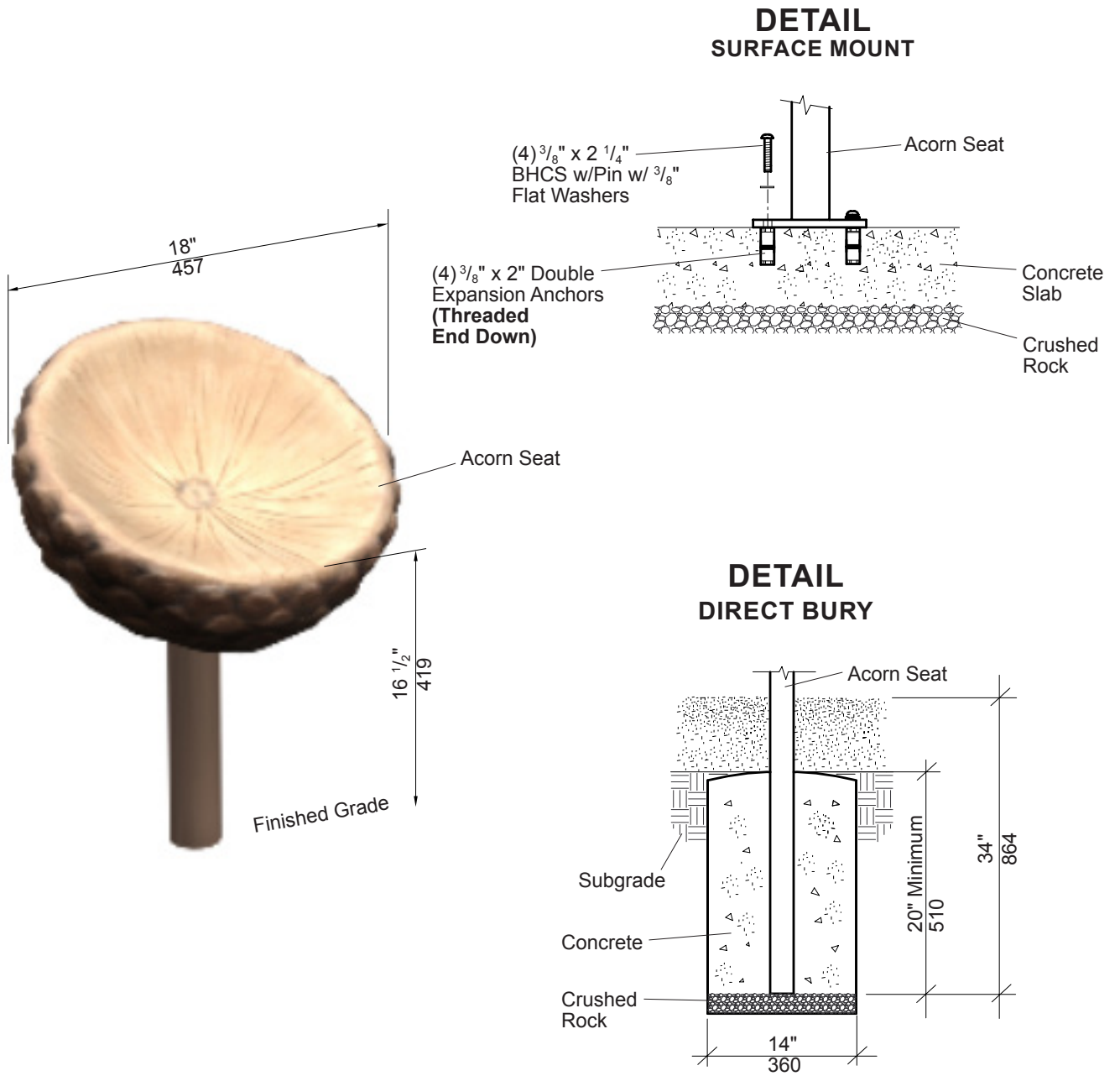
CoolToppers® 154397 CoolToppers, Single Post Shade



NOTE: For ease of installation a 12'-16' ladder or bucket lift is recommended.



Note: Video explaining how to properly install the fabric. If there is any difficulty with the install watch video for clarification

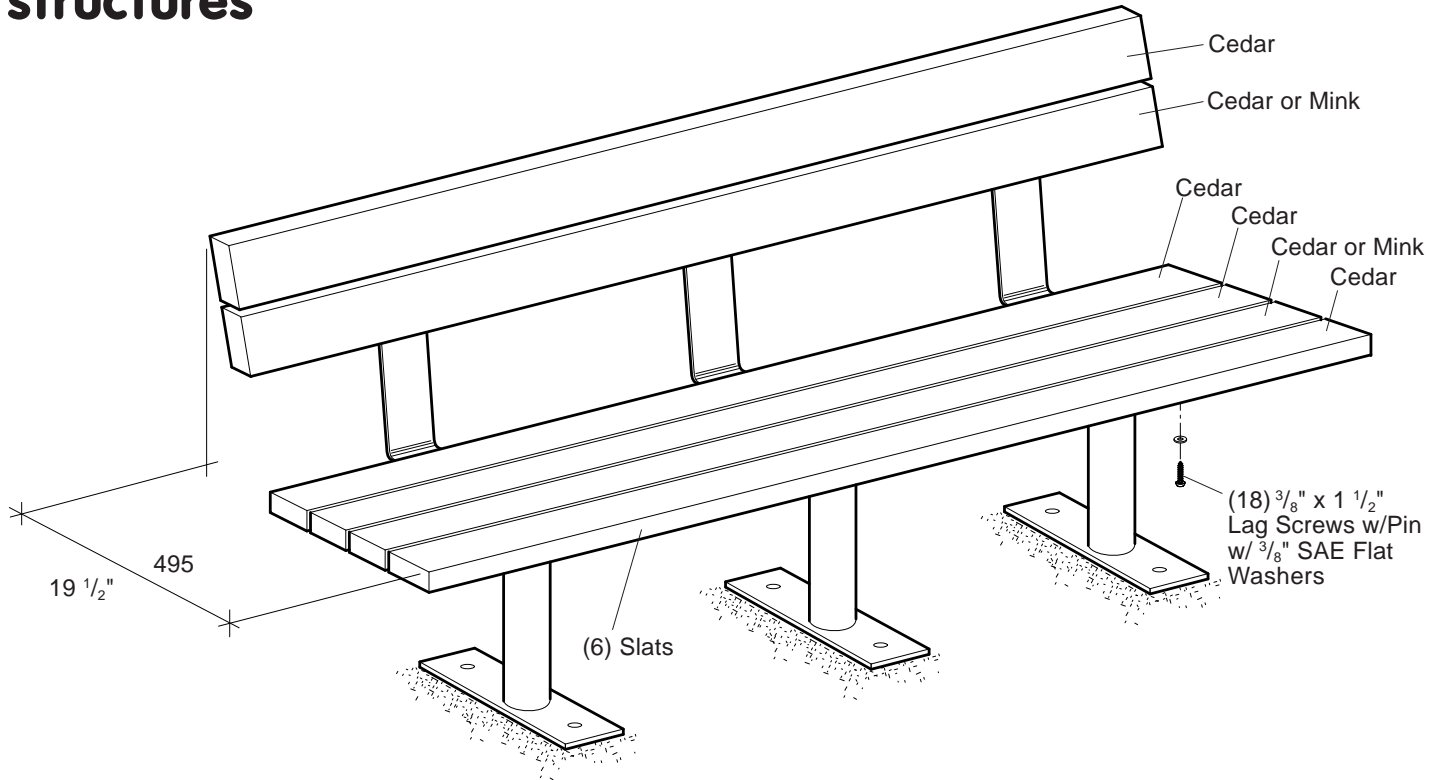


Play Naturally™

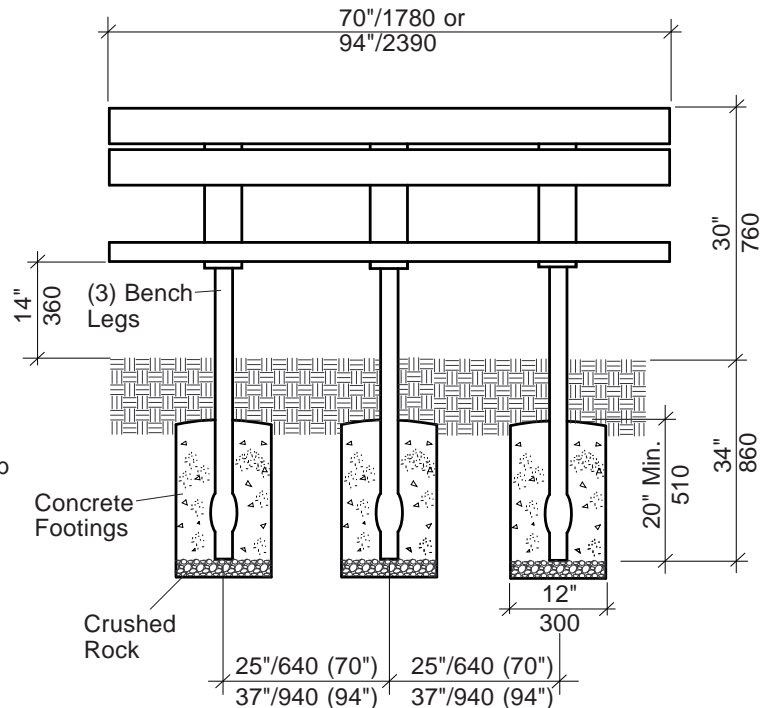
Site Furnishings

186579 Acorn Seat

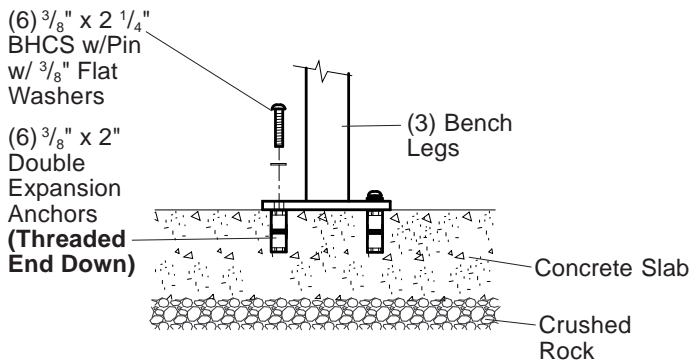
SURFACE MOUNT



DIRECT BURY



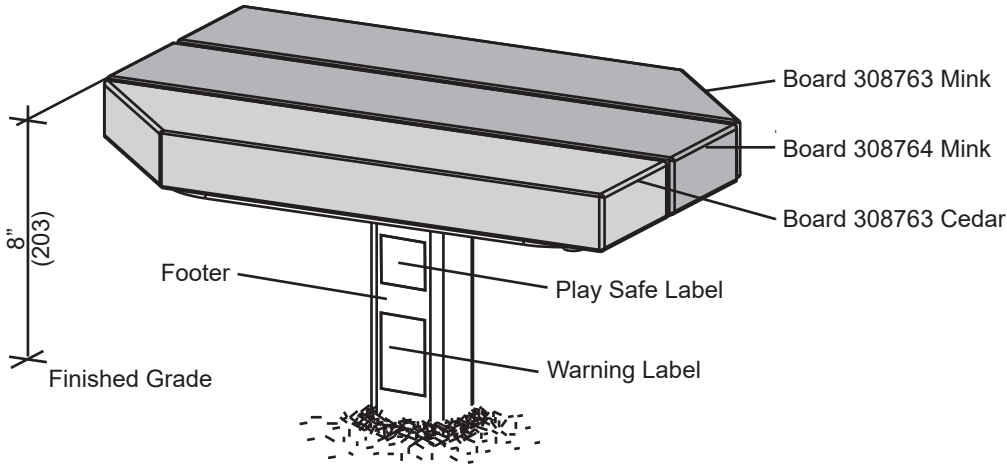
SURFACE MOUNT



- 70", 2 x 4 Cedar Slats, Direct Bury
- 70", 2 x 4 Cedar Slats, Surface Mount
- 94", 2 x 4 Cedar Slats, Direct Bury
- 94", 2 x 4 Cedar Slats, Surface Mount
- 70", 2 x 4 Cedar/Mink Slats, Direct Bury
- 70", 2 x 4 Cedar/Mink Slats, Surface Mount
- 94", 2 x 4 Cedar/Mink Slats, Direct Bury
- 94", 2 x 4 Cedar/Mink Slats, Surface Mount

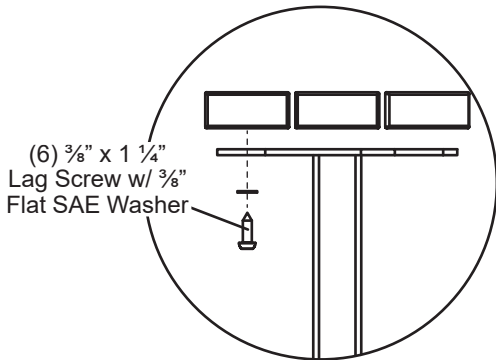
186583 Wood-Grain Bench, 2 x 4 Cedar Slats, w/Back
186583 Wood-Grain Bench, 2 x 4 Cedar/Mink Slats, w/Back

Site Furnishings 186583 Wood-Grain Bench, 2 x 4 Slats, w/Back

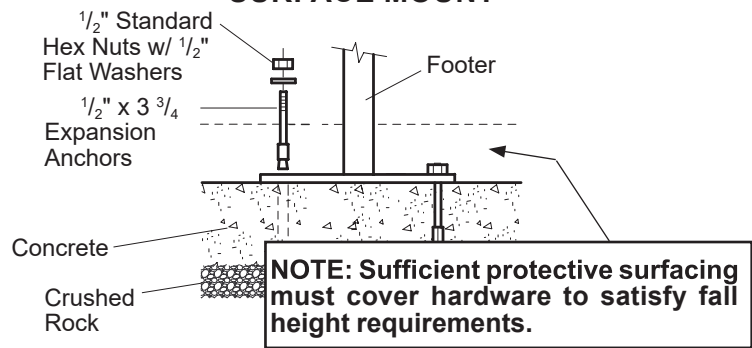


NOTE: Refer to the site Plan for footing location

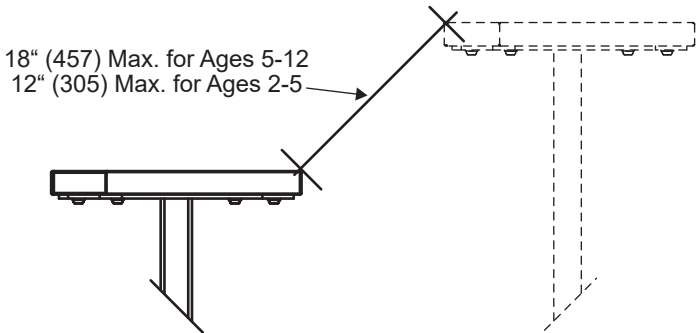
DETAIL BOARD CONNECTION



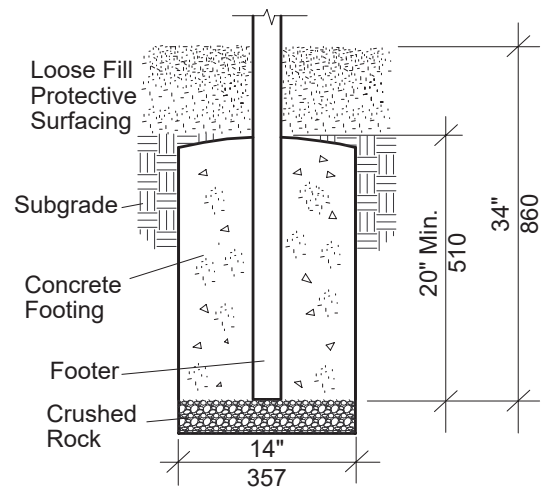
DETAIL SURFACE MOUNT



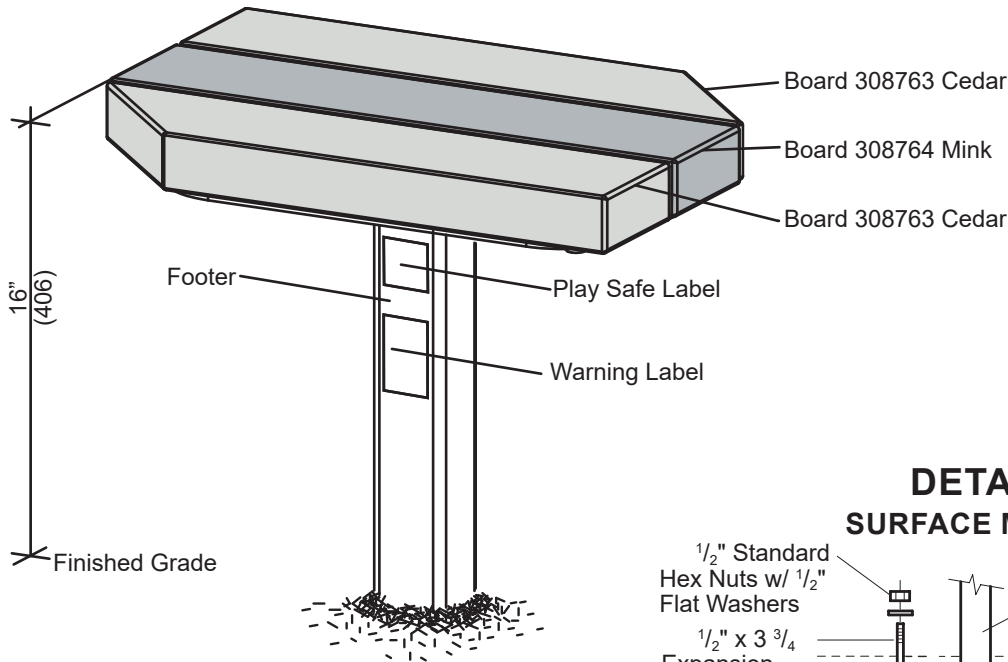
STEPPER DISTANCE
(LAYOUT VARIES - SEE YOUR PLAN)



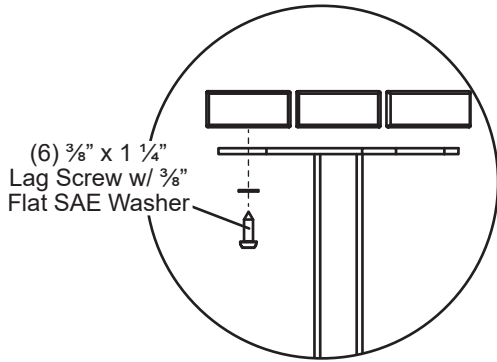
DETAIL DIRECT BURY



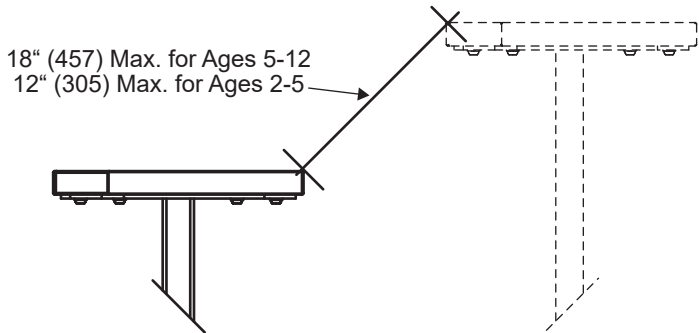
NOTE: Refer to the site Plan for footing location



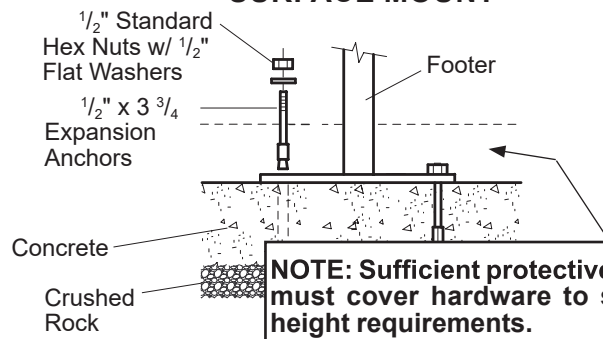
DETAIL BOARD CONNECTION



STEPPER DISTANCE
(LAYOUT VARIES - SEE YOUR PLAN)

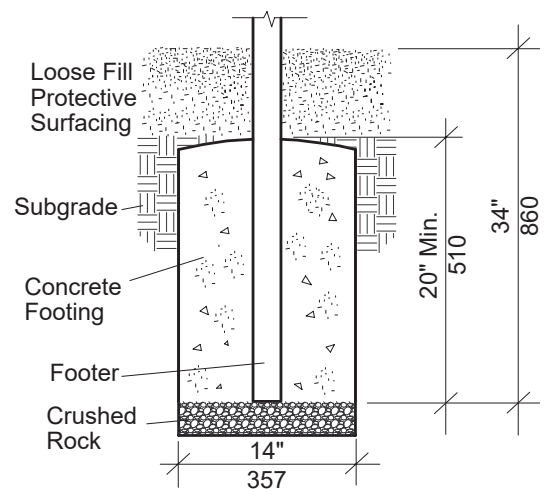


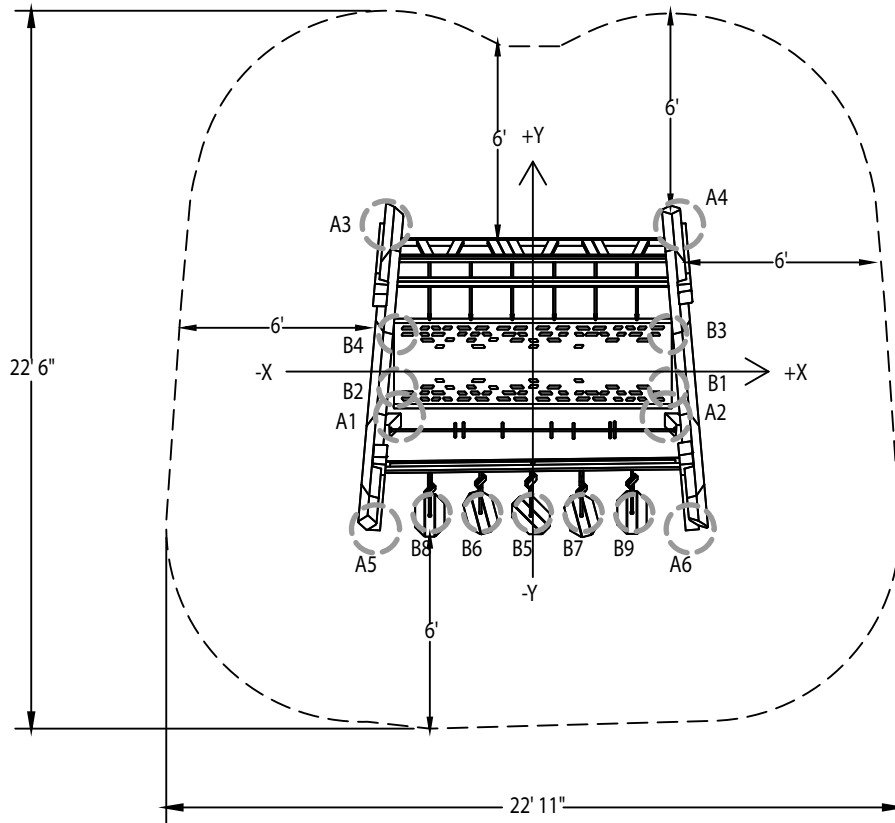
DETAIL SURFACE MOUNT



NOTE: Sufficient protective surfacing must cover hardware to satisfy fall height requirements.

DETAIL DIRECT BURY

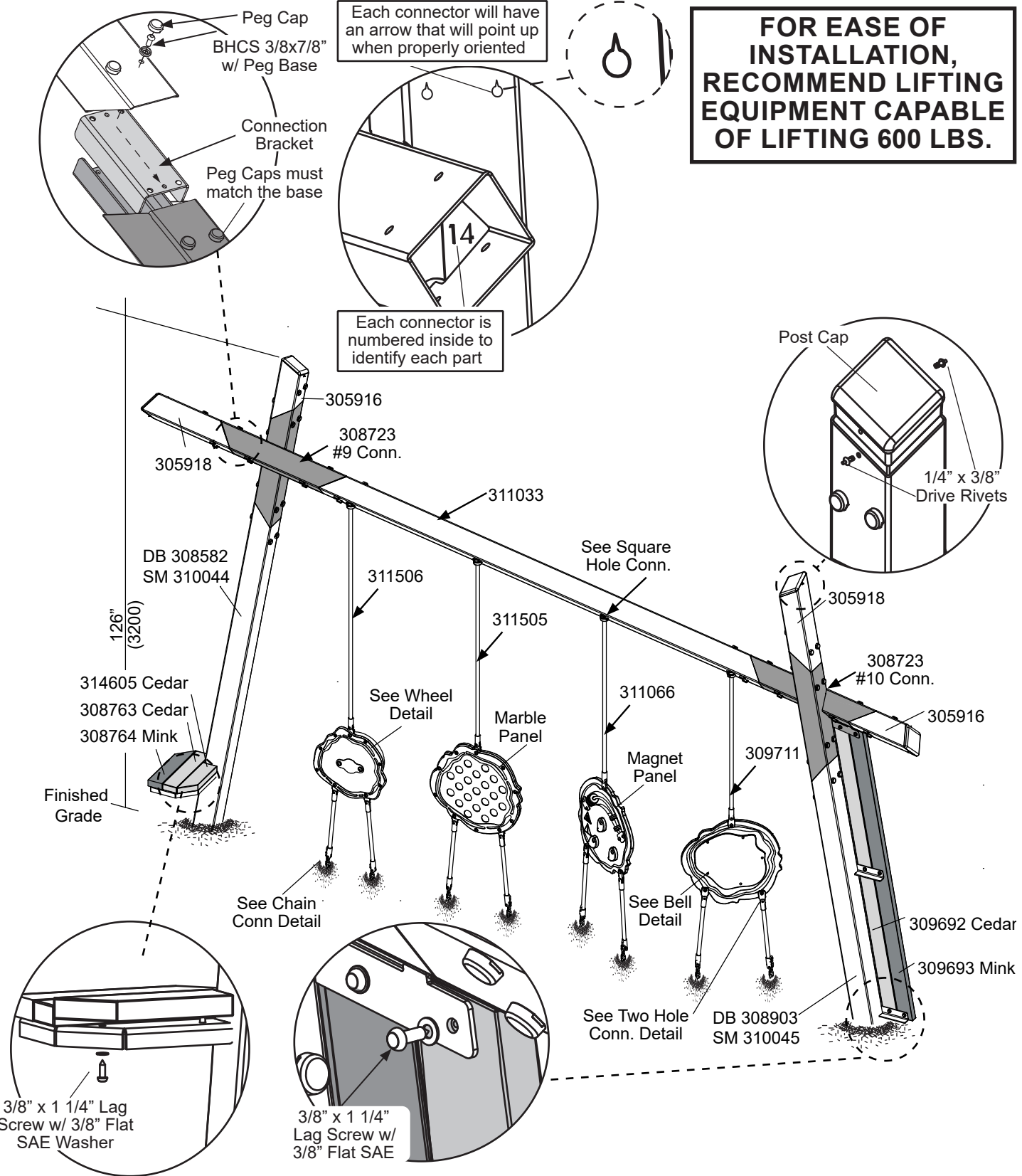




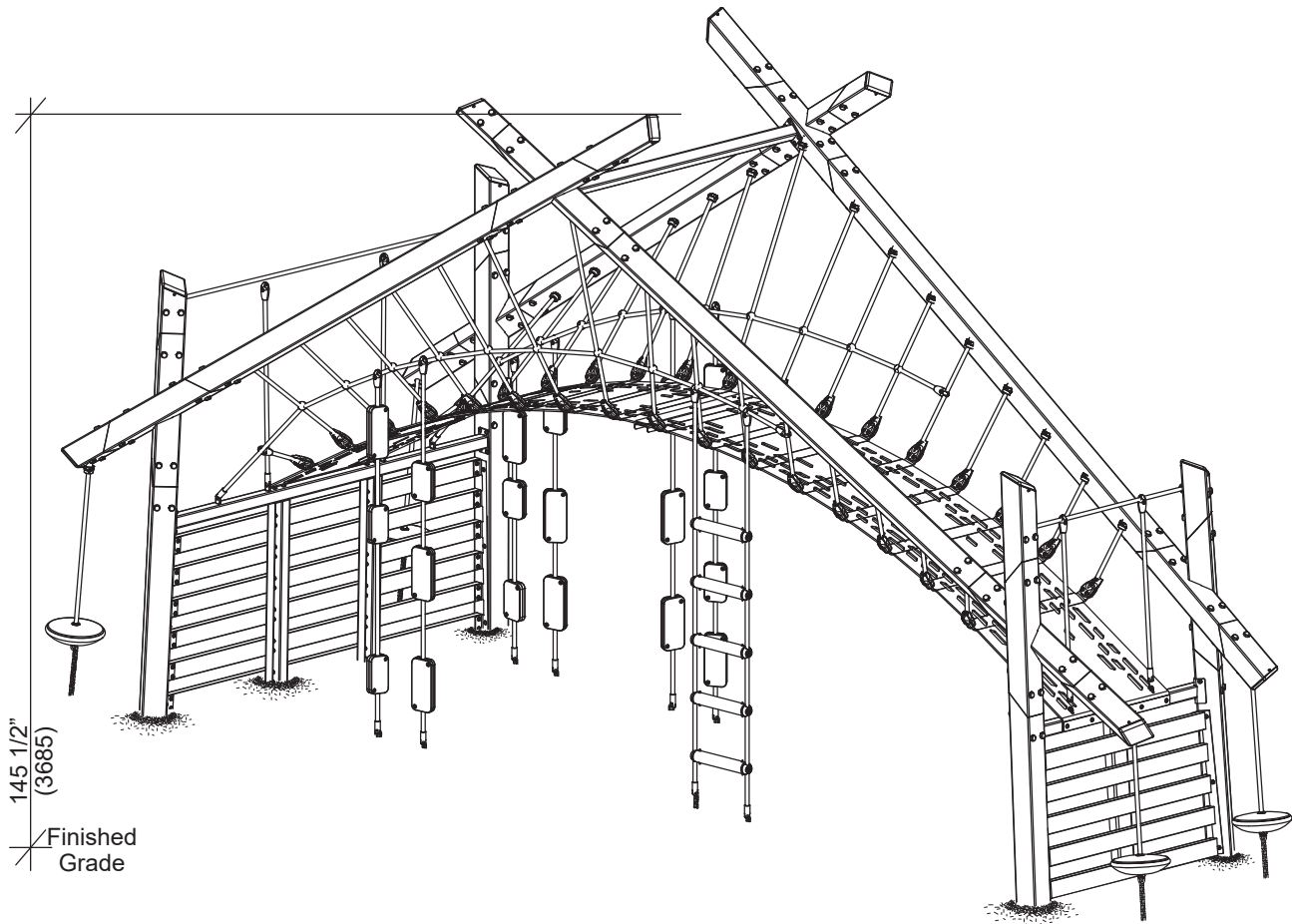
NOTE: Refer to the site Plan for footing location

N.	I.D.	X (ft-in)	Y (ft-in)	Dist. to O	DIA (in)
1	A1	-4'-2"	-1'-5"	4'-5"	18
2	A2	4'-2"	-1'-5"	4'-5"	18
3	A3	-4'-7"	4'-7"	6'-6"	18
4	A4	4'-7"	4'-7"	6'-6"	18
5	A5	-4'-11"	-4'-11"	6'-11 1/2"	18
6	A6	4'-11"	-4'-11"	6'-11 1/2"	18
7	B1	4'-3"	-6"	4'-3"	14
8	B2	-4'-3"	-6"	4'-3"	14
9	B3	4'-3"	1'-2"	4'-4 1/2"	14
10	B4	-4'-3"	1'-2"	4'-4 1/2"	14
11	B5	0"	-4'-5"	4'-5"	14
12	B6	-1'-7"	-4'-5"	4'-8 1/2"	14
13	B7	1'-7"	-4'-5"	4'-8 1/2"	14
14	B8	-3'-2"	-4'-5"	5'-5"	14
15	B9	3'-2"	-4'-5"	5'-5"	14

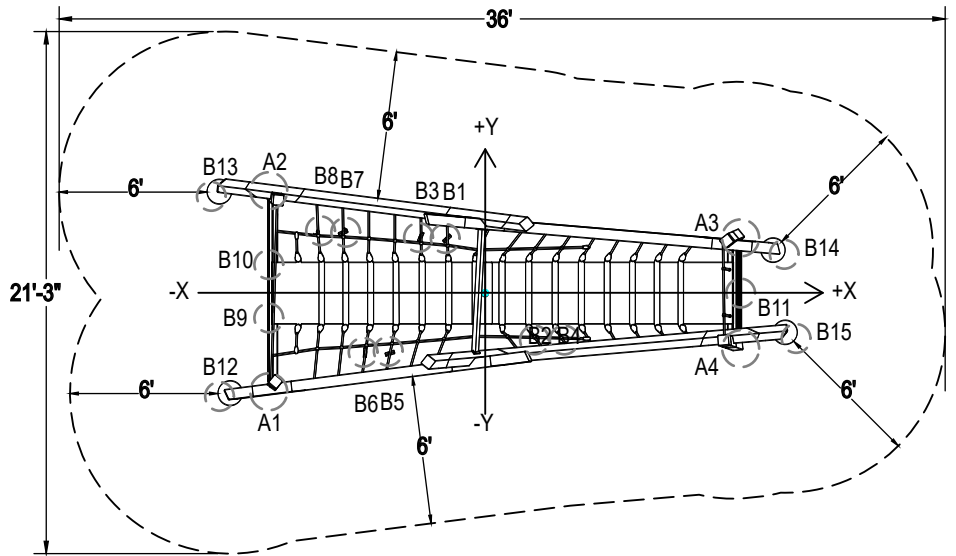
SAFETY NOTE
Choose a protective surfacing material that has a Critical Height Value of at least the height of the Highest Accessible Part/Fall Height of the adjacent equipment. (Ref. ASTM F1487.)



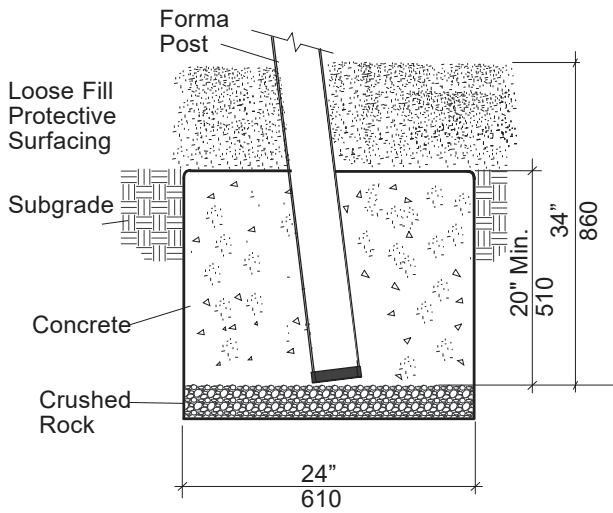
FOR EASE OF INSTALLATION, RECOMMEND LIFTING EQUIPMENT CAPABLE OF LIFTING 600 LBS.



NOTE: Refer to the site Plan for footing location

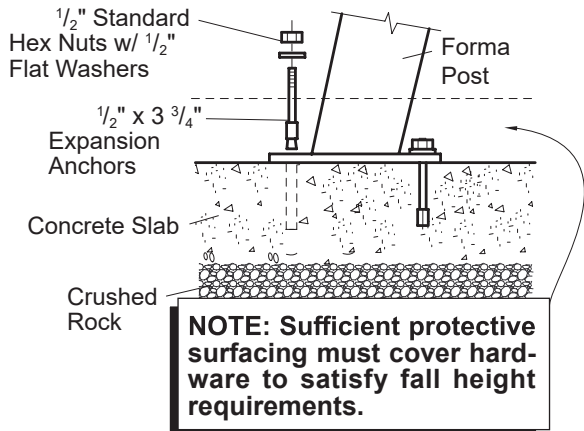


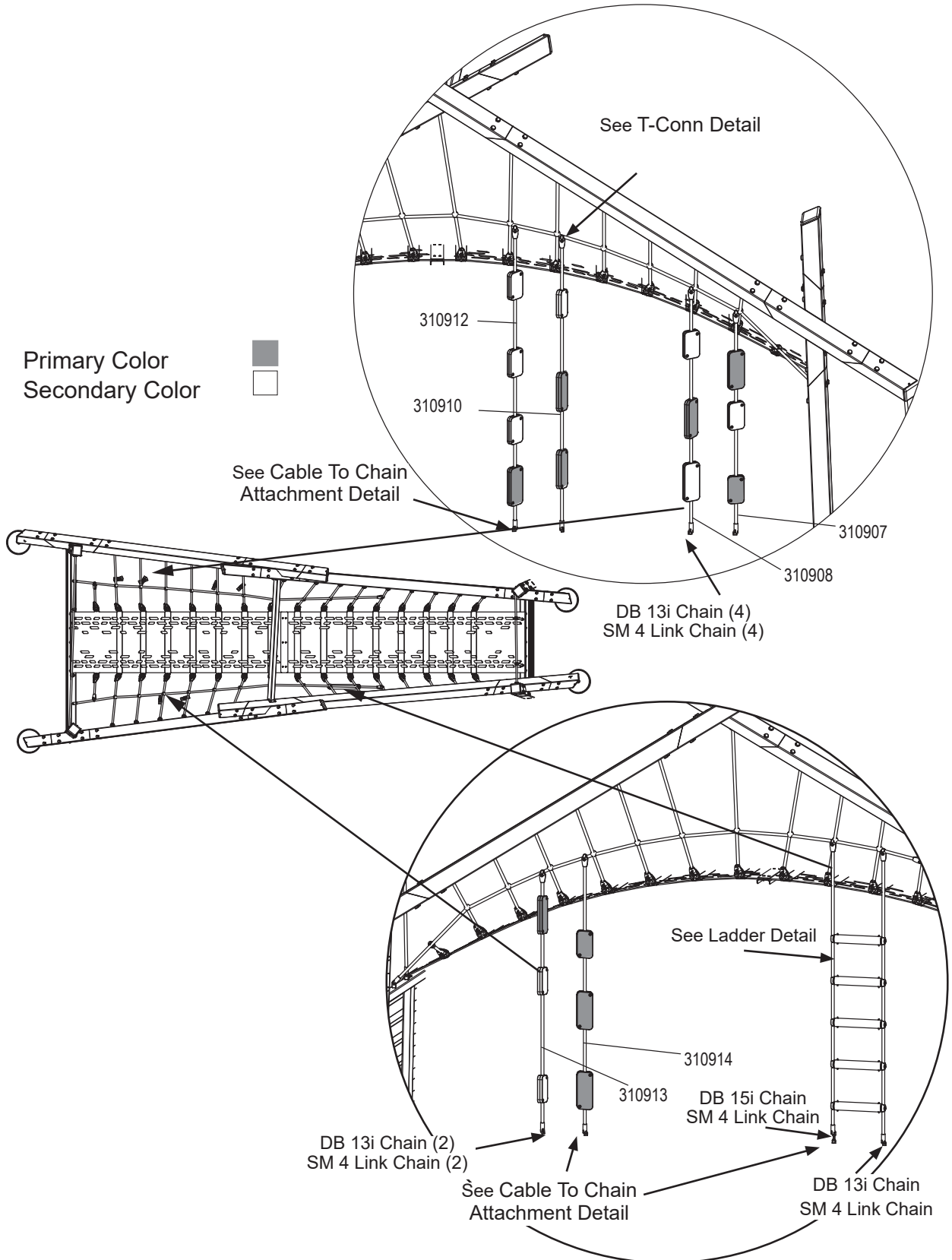
**DETAIL
DIRECT BURY**



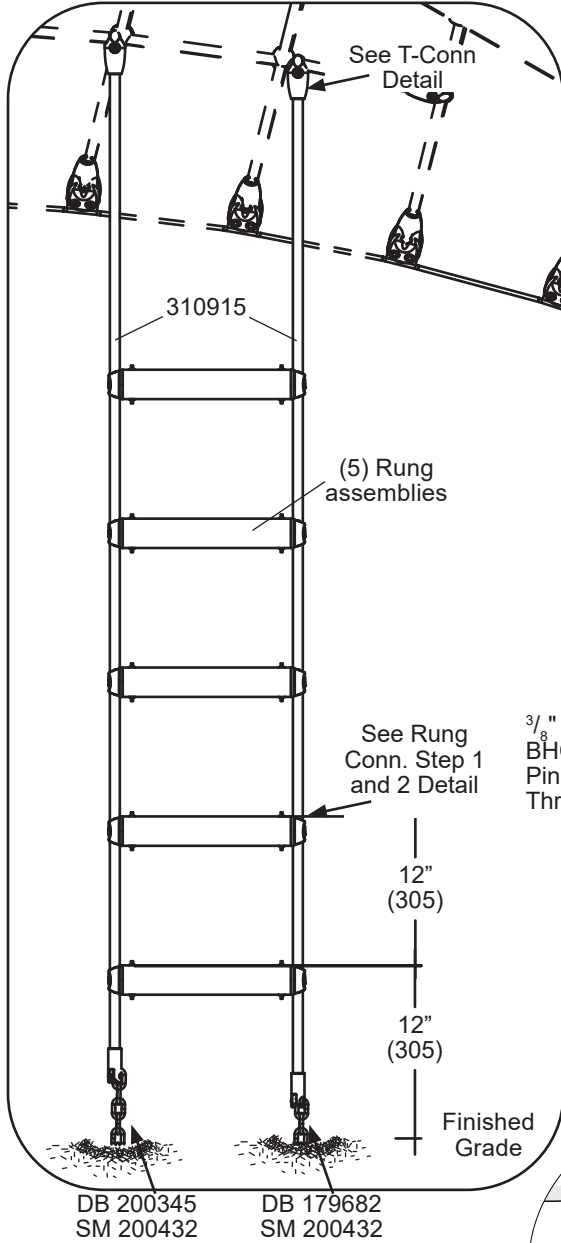
N.	I.D.	X (ft-in)	Y (ft-in)	Dist. to O	DIA (in)
1	A1	-8'-9 1/2"	-4'-0 1/2"	9'-8"	20
2	A2	-8'-9 1/2"	4'-2"	9'-8 1/2"	20
3	A3	10'-4 1/2"	2'-3"	10'-7 1/2"	20
4	A4	10'-4 1/2"	-2'-3 1/2"	10'-7 1/2"	20
5	B1	-1'-7 1/2"	2'-2 1/2"	2'-9"	14
6	B2	2'	-1'-11"	2'-9"	14
7	B3	-2'-8 1/2"	2'-3"	3'-6 1/2"	14
8	B4	3'-2 1/2"	-1'-11"	3'-9"	14
9	B5	-3'-11 1/2"	-2'-4 1/2"	4'-7"	14
10	B6	-4'-11 1/2"	-2'-5"	5'-6"	14
11	B7	-5'-8"	2'-5 1/2"	6'-2"	14
12	B8	-6'-8 1/2"	2'-6 1/2"	7'-2"	14
13	B9	-8'-9 1/2"	-1'-0 1/2"	8'-10"	14
14	B10	-8'-9 1/2"	1'-2"	8'-10 1/2"	14
15	B11	10'-4 1/2"	0"	10'-4 1/2"	14
16	B12	-10'-9 1/2"	-4'-2 1/2"	11'-7"	14
17	B13	-11'-1 1/2"	3'-11"	11'-9 1/2"	14
18	B14	12'-2"	1'-7"	12'-3"	14
19	B15	12'-7 1/2"	-1'-10 1/2"	12'-9"	14

**DETAIL
SURFACE MOUNT**

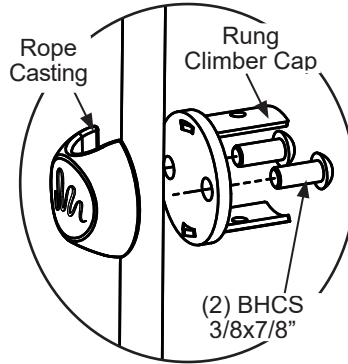




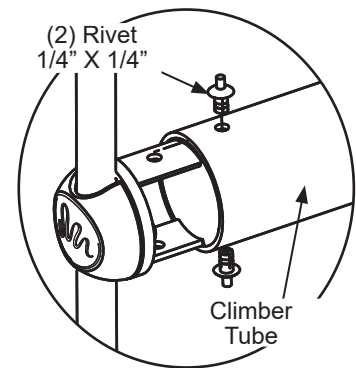
DETAIL LADDER



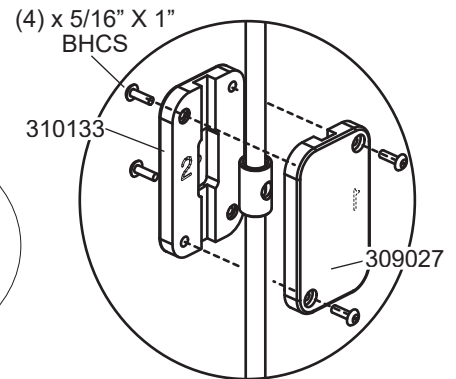
DETAIL RUNG STEP 1



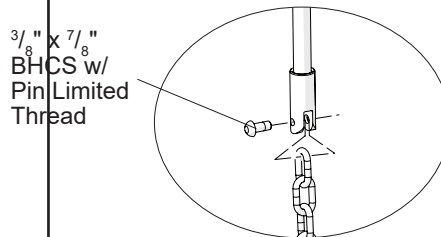
DETAIL RUNG STEP 2



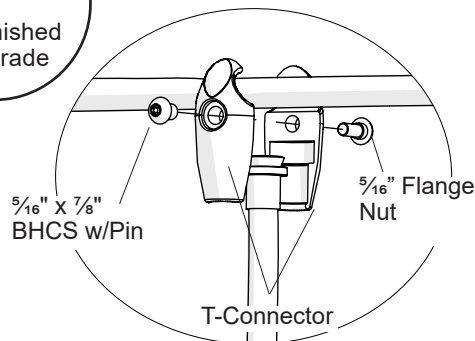
DETAIL 8" ROPE BLOCK



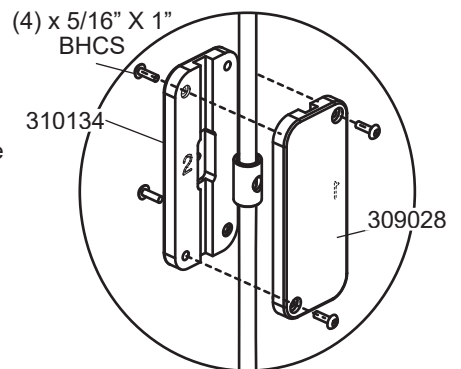
DETAIL CABLE TO CHAIN ATTACHMENT



DETAIL T-CONN.

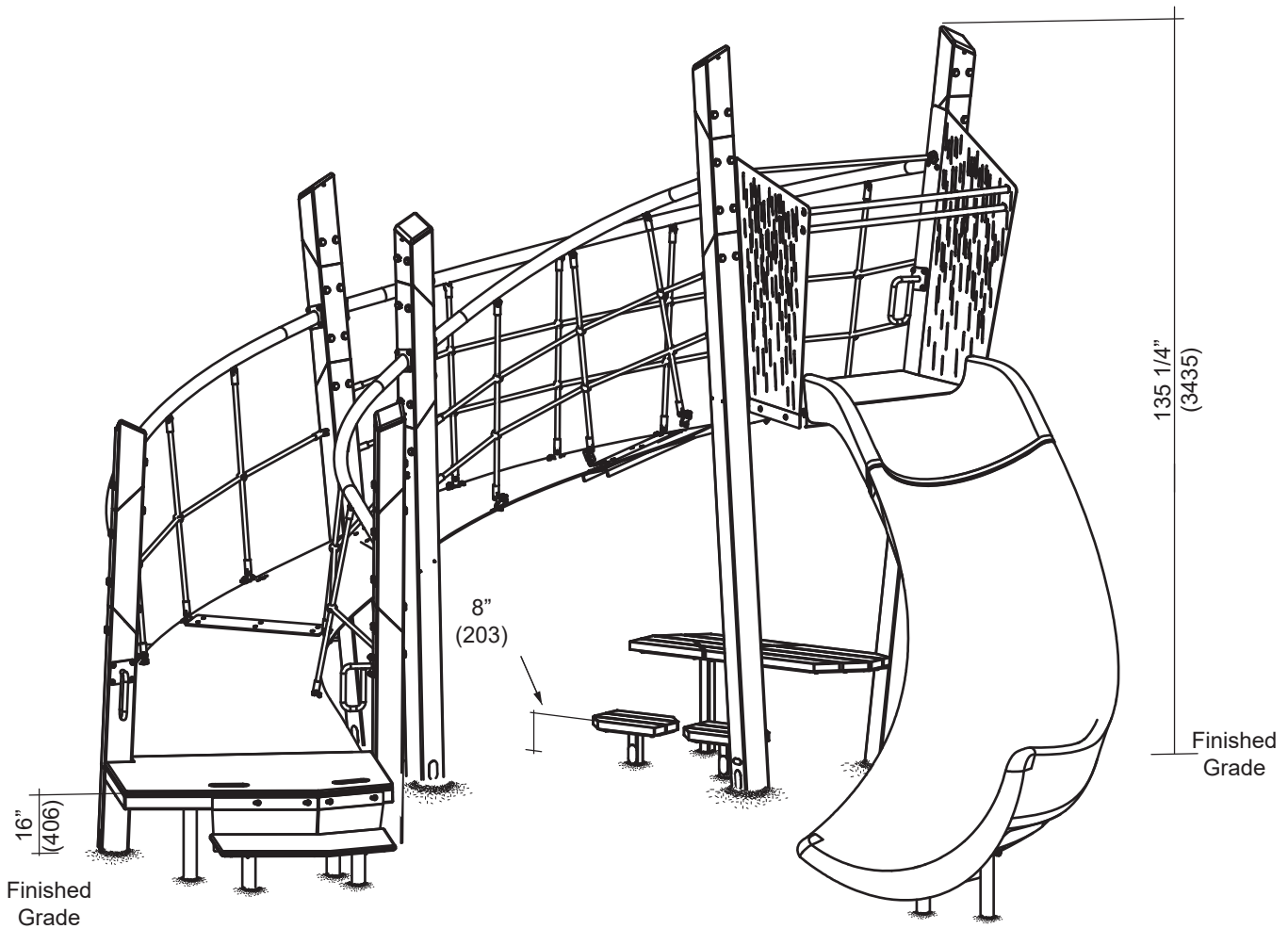


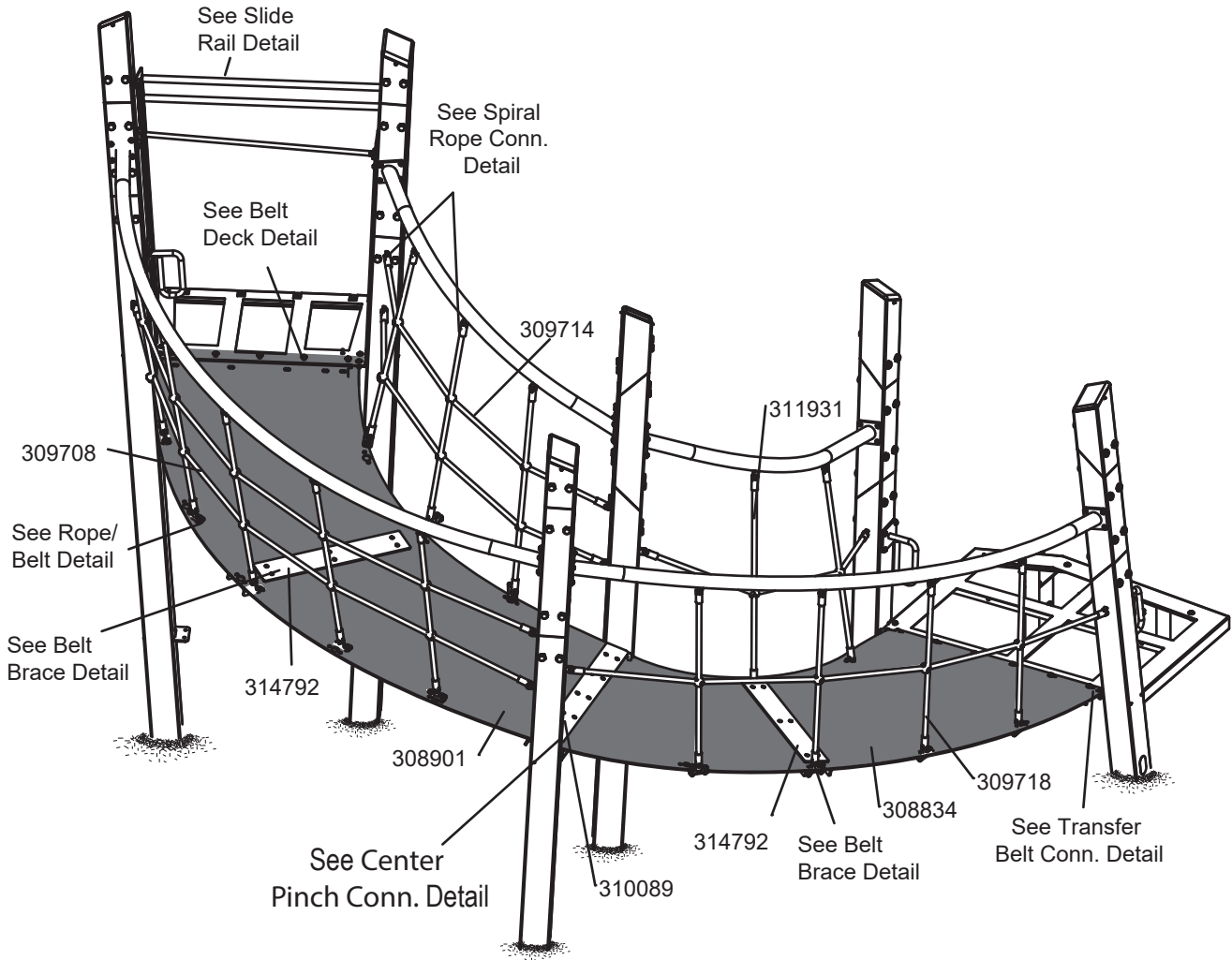
DETAIL 11" PERM BLOCK



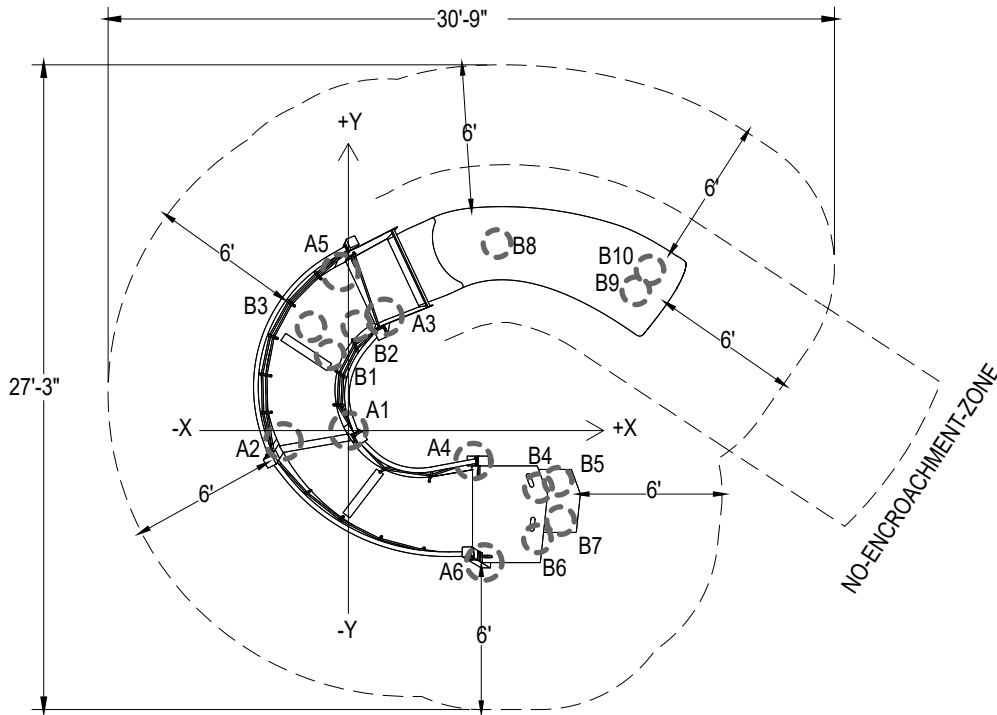
NOTE: Do not overtighten fasteners.

**FOR EASE OF
INSTALLATION,
RECOMMEND LIFTING
EQUIPMENT CAPABLE
OF LIFTING 600 LBS.**





SAFETY NOTE
Choose a protective surfacing material that has a Critical Height Value of at least the height of the Highest Accessible Part/Fall Height of the adjacent equipment. (Ref. ASTM F1487.)



N.	I.D.	X (ft-in)	Y (ft-in)	Dist. to O	DIA (in)
1	A1	0"	0"	0"	18
2	A2	-2'-9"	-5 1/2"	2'-9 1/2"	18
3	A3	1'-6"	4'-10"	5'-0 1/2"	18
4	A4	5'-3 1/2"	-1'-3 1/2"	5'-5 1/2"	18
5	A5	-4"	6'-8 1/2"	6'-8 1/2"	18
6	A6	5'-9"	-5'-7"	8'	18
7	B1	-9 1/2"	3'-2 1/2"	3'-3 1/2"	14
8	B2	4"	4'-5 1/2"	4'-5 1/2"	14
9	B3	-1'-7"	4'-5"	4'-8"	14
10	B4	8'-0 1/2"	-2'-5"	8'-5"	14
11	B5	8'-10 1/2"	-2'-2"	9'-1 1/2"	14
12	B6	8'	-4'-7"	9'-2 1/2"	14
13	B7	9'	-3'-10"	9'-9"	14
14	B8	6'-3 1/2"	7'-11"	10'-1 1/2"	14
15	B9	12'-2"	5'-11"	13'-6 1/2"	14
16	B10	12'-9"	6'-9 1/2"	14'-5 1/2"	14

NOTE: Refer to the site Plan for footing location